

**MediaMobil  
Communication GmbH**

**Wireless CCTV System**

**Overview**

## Application: Video Surveillance in Outdoor Areas

- Public buildings, places...
- Private facilities
- Traffic Monitoring

# CCTV System

---



## Features (1):

- Video transmission in TV quality.
- Wireless video transmission via microwave links operating in the range 6 - 8 GHz (other ranges available).
- Video distribution at surveillance center via TV cable network technology (more flexible and lower cost solution than hardware based systems using video switches).
- Video display on standard TV Monitors and PC displays.

# CCTV System

---



## Features (2):

- Camera control by software via graphical user interface:
  - Pan/Tilt/Zoom control by pointer or keyboard (no extra hardware such as PTZ consoles required).
  - Pre-programmable camera positions.
  - Programmable camera display sequences for each monitor.
- Transmission of camera control commands via GSM, PSTN, ISDN or VHF/UHF radio.

# CCTV System

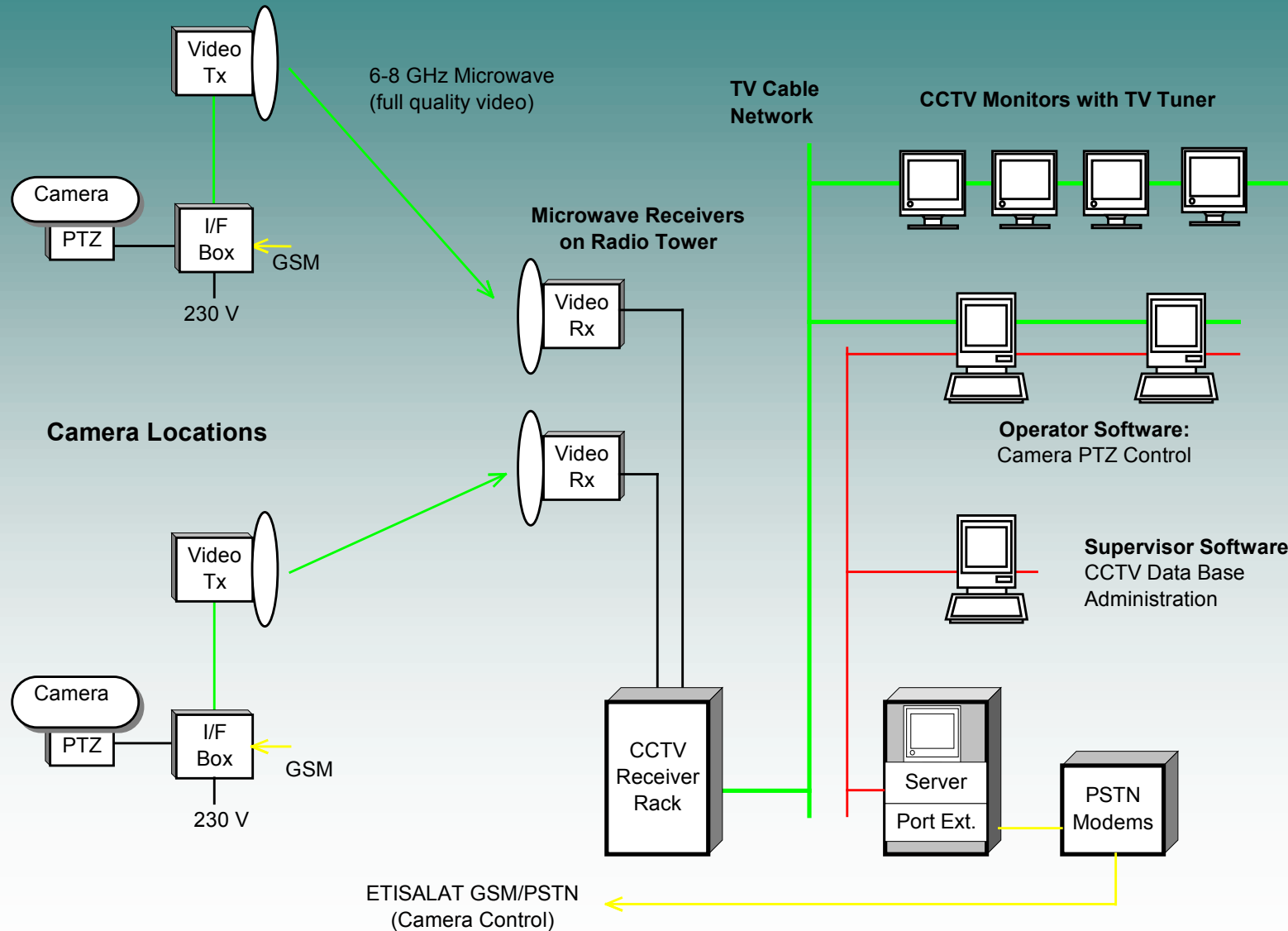
---



## Features (3):

- Data base for administration of the system configuration and the user access rights:
  - Camera locations and configurations of the video and control links.
  - List of pre-programmed camera positions.
  - Relation between cameras, monitors and display sequences.
  - Access rights of users (operator, viewer, administrator).

# CCTV System



# CCTV System



## Camera with Microwave Link



# CCTV System

---



## Receive System with Video Head End



# CCTV System



## Software for Video Display and Camera Control

The screenshot displays the CCTV software interface, which is divided into several functional areas:

- Video Feed:** A large window on the left shows a live video feed of an outdoor area with buildings, a road, and a truck. A hand holding a camera lens is visible in the foreground on the left side of the feed.
- Sequences Panel:** A panel on the right titled "Sequences" contains a table with the following data:

Id	Name	Comment
120	1	1
134	11	asdf
115	12	test
139	1234	123
118	234	asdf
119	234234	234
137	234333	
138	2424234	234234

Below the table are navigation buttons and a "Duration" field set to "30 Sec" with an "Add to Sequence" button.
- Camera Control Panel:** A panel at the bottom left titled "CameraControl" includes a red status bar that reads "Camera control not active". It features sliders for "Zoom" and "Focus", dropdown menus for "Camera" and "Position", and "OK" and "Cancel" buttons.
- Overlay Panel:** A panel at the bottom center titled "Overlay" contains "Unfreeze", "Save", and "Print" buttons.
- Navigation:** A set of playback control buttons (stop, play, pause, etc.) is located at the bottom right of the interface.