

**MediaMobil
Communication GmbH**

Alarm Management System

Overview

Alarm Management System



Application: Alarm Monitoring and Management:

- Instantaneous indication of alarm events from remote sites (banks, shops, public and private facilities...).
- Verification of the alarms by live video pictures.
- Automatic notification of defined persons by voice mail, pager, SMS, email and/or fax.
- Customer specific alarm management procedures.
- Built-in video surveillance capability.

Alarm Management System



Features (1):

- Alarm connection via 2-wire leased lines (other line types possible).
- Video transmission to the alarm center via the same line based on the H.263+ Standard.
- Bi-directional audio connection also on the same line.
- Monitoring of line alarms.
- Software für alarm- and video display on PC workstations.

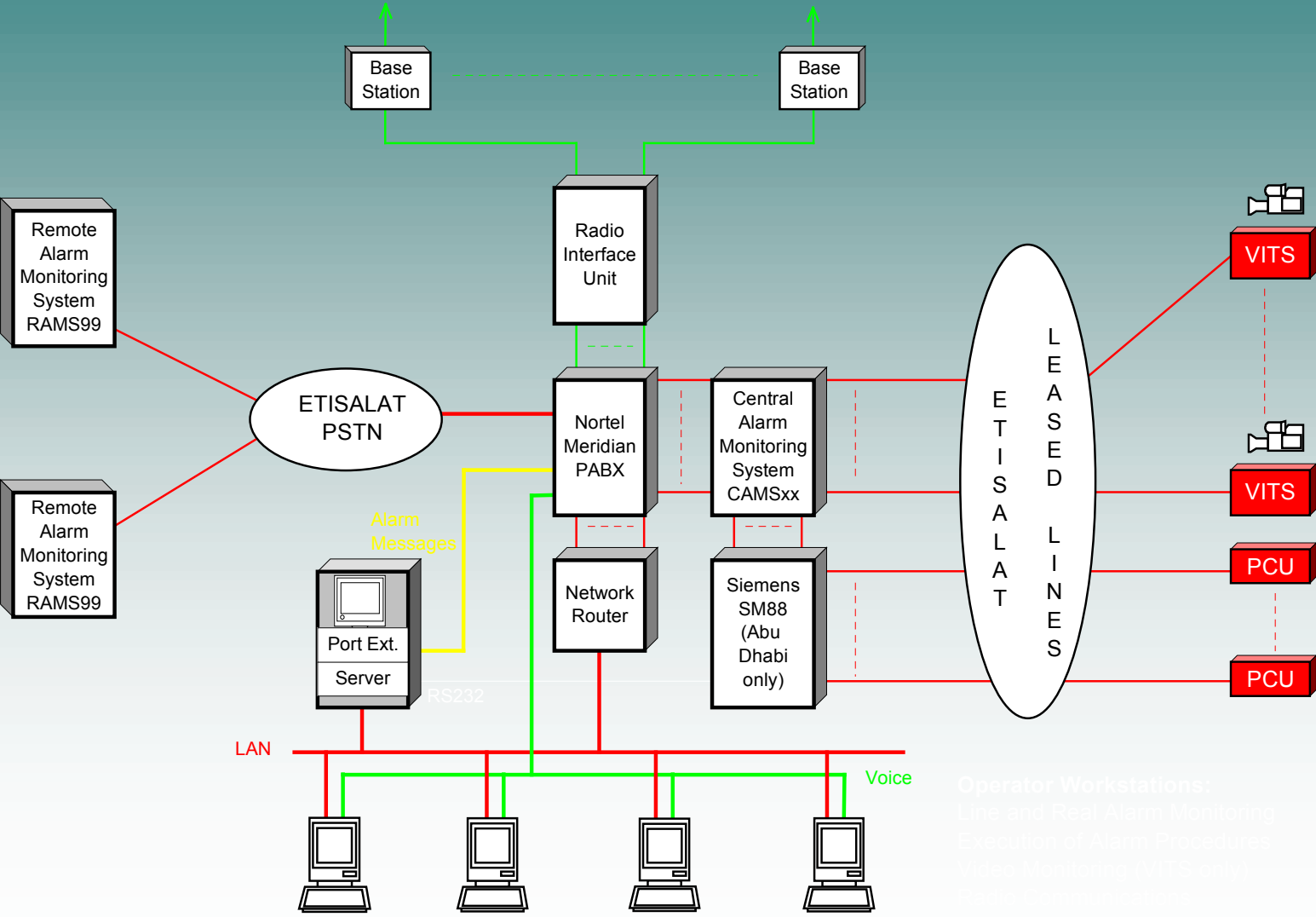
Alarm Management System



Features (2):

- IP based alarm and video transmission (integration with other IP applications at the alarm center possible).
- Customer specific graphical displays and programmable alarm management procedures.
- Connectivity between alarm centers via IP network.

Alarm System (Reference Project)



Operator Workstations:
 Line and Real Alarm Monitoring
 Execution of Alarm Procedures
 Video Monitoring (VITS only)
 Radio Communication

Alarm Management System



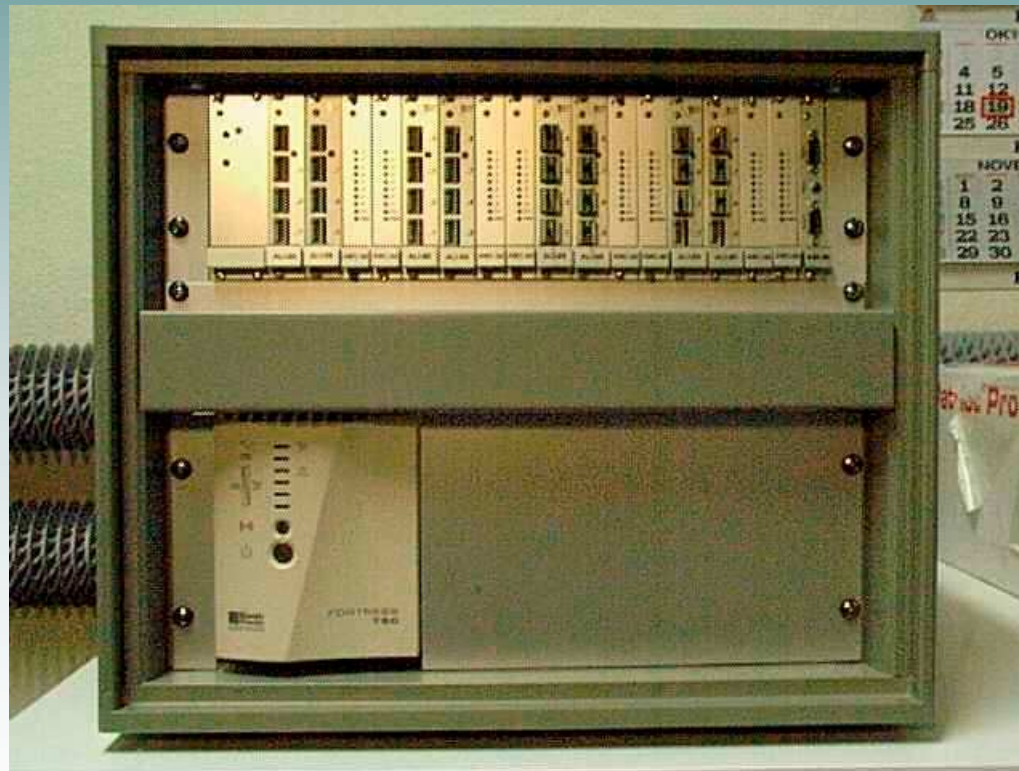
2-wire alarm line termination with interface for alarm, video and audio signals (remote end)



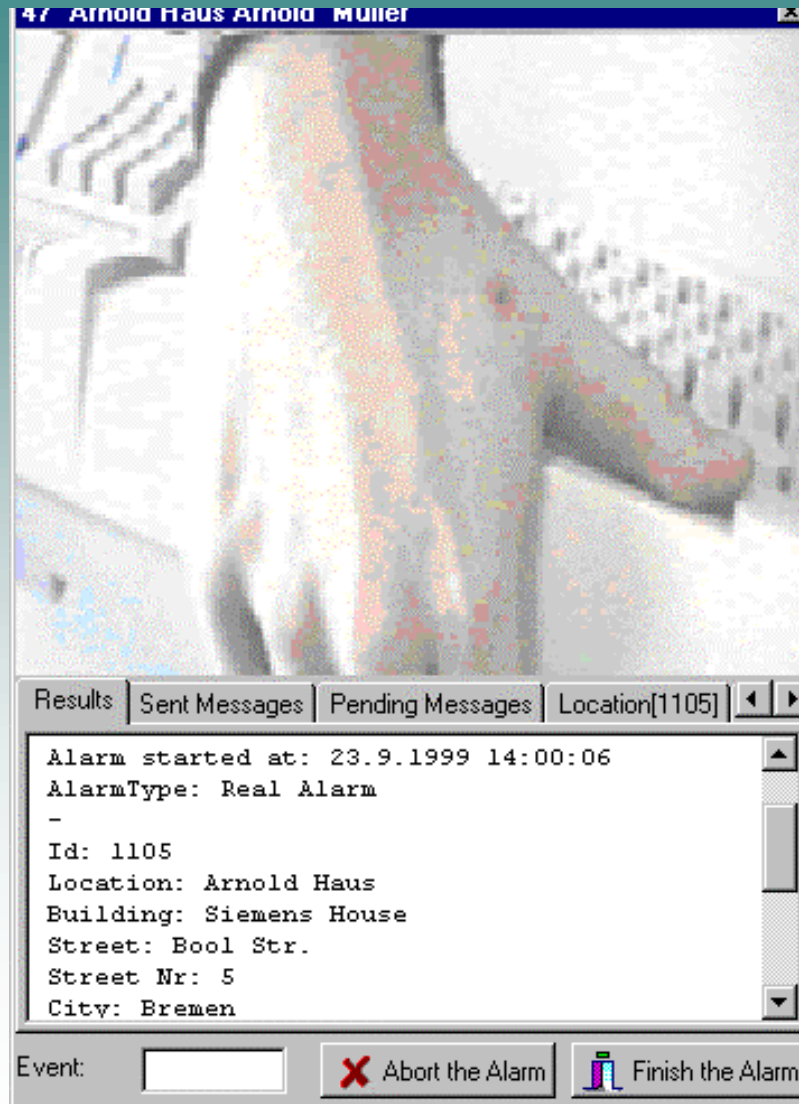
Alarm Management System



Termination rack for 2-wire alarm lines at the alarm center with IP network interface



Alarm Management System



Software for alarm indication and supervision of the automatic execution of the alarm procedures